



RK SYSTEM

Technical catalogue
Catálogo técnico

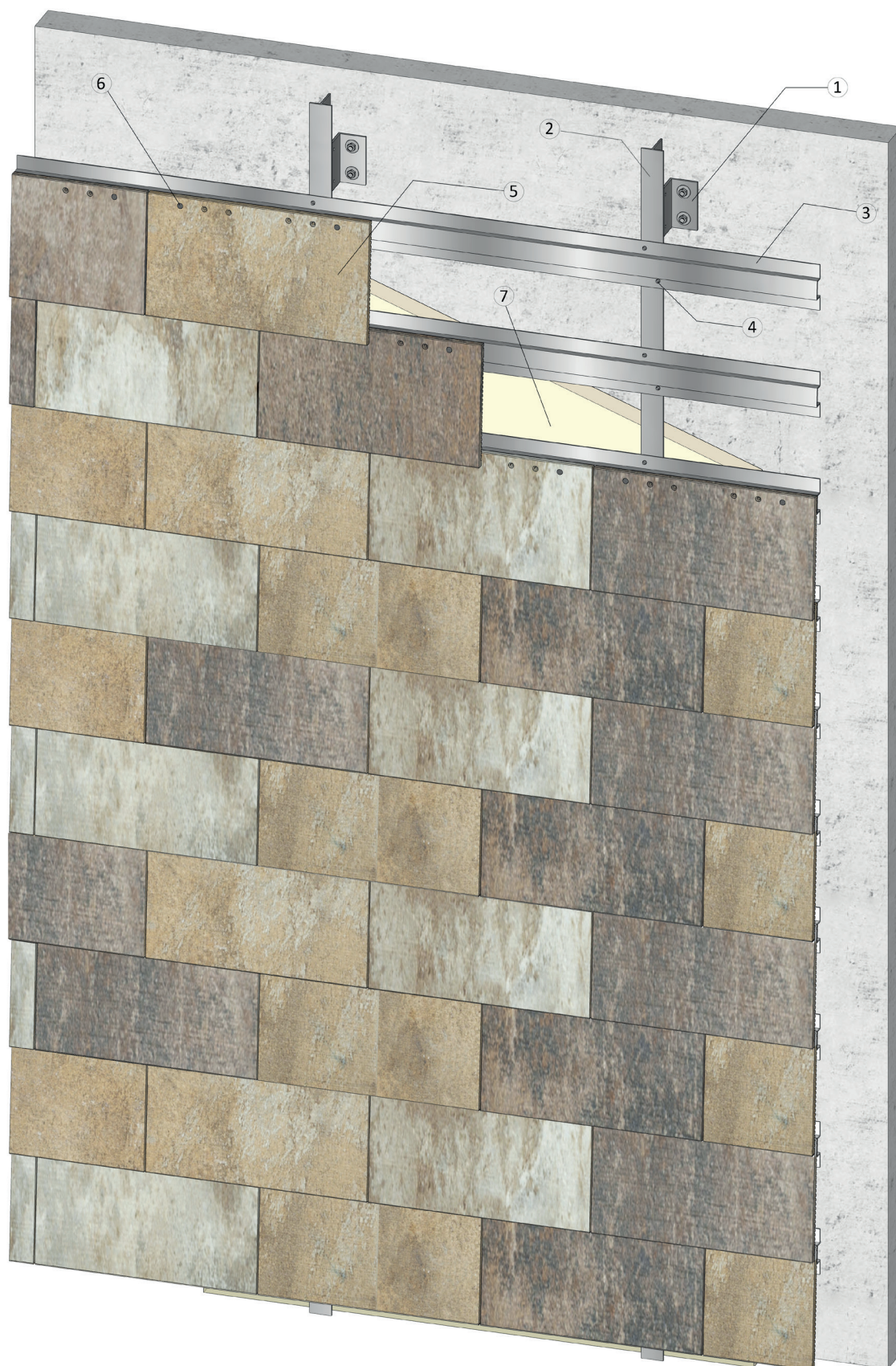
tempio®



INDEX

| | |
|--------------------------------------|-----------|
| 3D Perspective | 3 |
| Perspectiva 3D | |
| 3D corner perspective | 4 |
| Perspectiva esquina 3D | |
| Section detail | 5 |
| Detalle de sección | |
| Over window detail | 6 |
| Detalle superior de ventana | |
| Metallic sill detail | 7 |
| Detalle vierteaguas metálico | |
| Metallic coping detail | 8 |
| Detalle coronación metálico | |
| Side termination detail | 9 |
| Detalle terminación lateral | |
| Metallic jamb detail | 10 |
| Detalle jamba metálica | |
| Termination detail | 11 |
| Detalle terminación | |
| Technical data sheet | 12 |
| Ficha técnica | |





- | | |
|---|--|
| <p>1. Sustaining bracket Escuadra sustentación</p> <p>2. Vertical T profile 40x50x3mm Perfil vertical T 40x50x3mm</p> <p>3. Horizontal omega profile 17x85x2mm Perfil omega horizontal 17x85x2mm</p> <p>4. Stainless steel self drilling screw 5,5x25 (not coated) Tornillos autotaladrantes de acero inoxidable 5,5x25 (sin recubrimiento)</p> | <p>5. RK tile 225x400mm Pieza de RK 225x400mm</p> <p>6. Countersunk stainless steel self drilling 4,2x25 (with different colors) Tornillos autotaladrantes avellanados de acero inoxidable 4,2x25 (con diferentes colores)</p> <p>7. Insulation Aislamiento</p> |
|---|--|

RK SYSTEM

Perspective
Perspectiva

tempio®

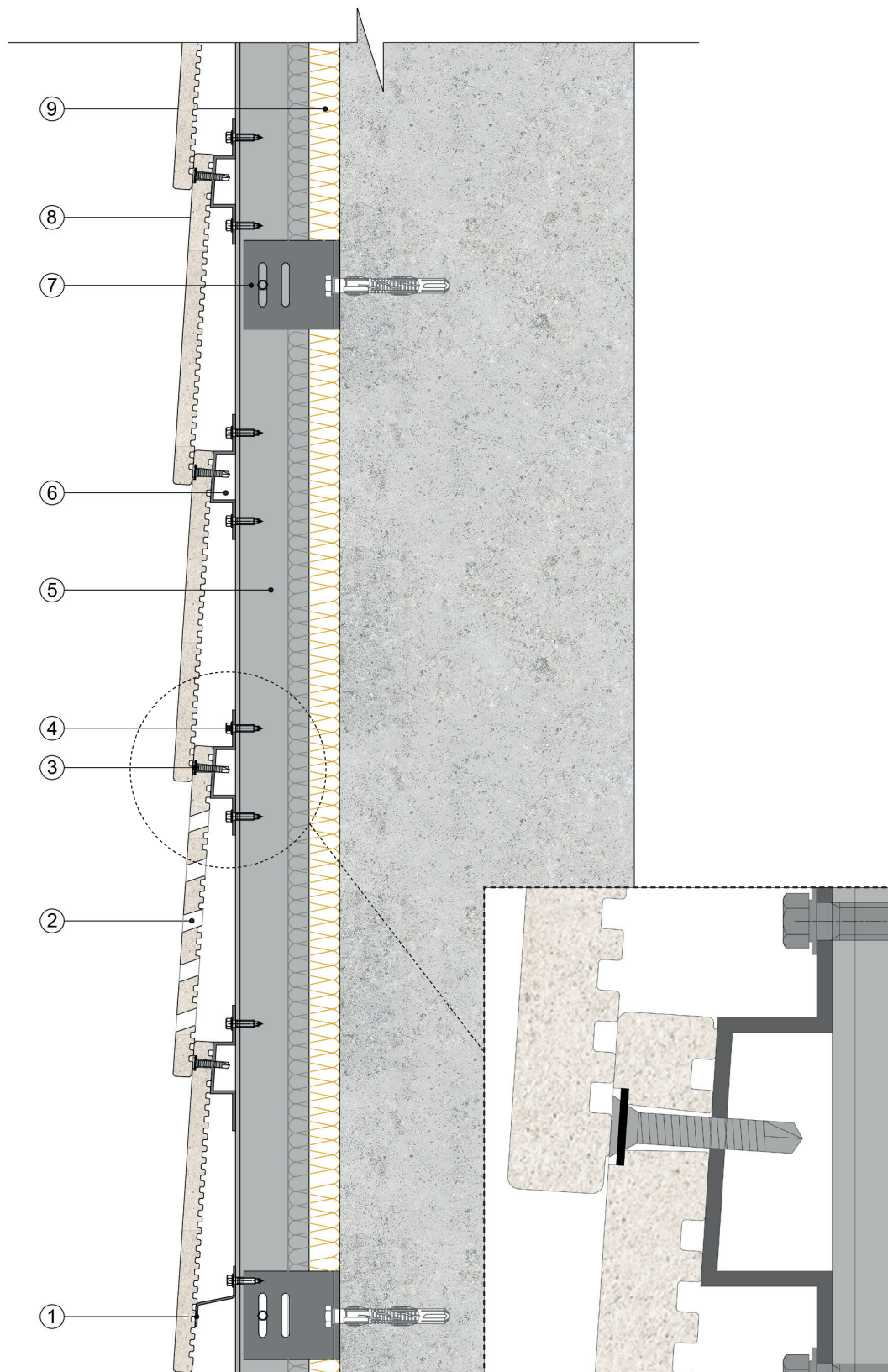


RK SYSTEM

3D Corner perspective
Perspectiva esquina 3D

tempio®

2022



1. Horizontal starter profile
Perfil horizontal arranque

2. Ventilated tiles
Piezas con ranura de ventilación

3. Countersunk stainless steel self-drilling 4,2x25 (with different colors)
Tornillos autotaladrantes avellanados de acero inoxidable 4,2x25 (con diferentes colores)

4. Stainless steel self drilling screw 5,5x25 (not coated)
Tornillos autotaladrantes de acero

inoxidable 5,5x25 (sin recubrimiento)

5. Vertical T profile 40x50x3mm
Perfil vertical T 40x50x3mm

6. Horizontal omega profile 17x85x2mm
Perfil omega horizontal 17x85x2mm

7. Retaining bracket
Escuadra retención

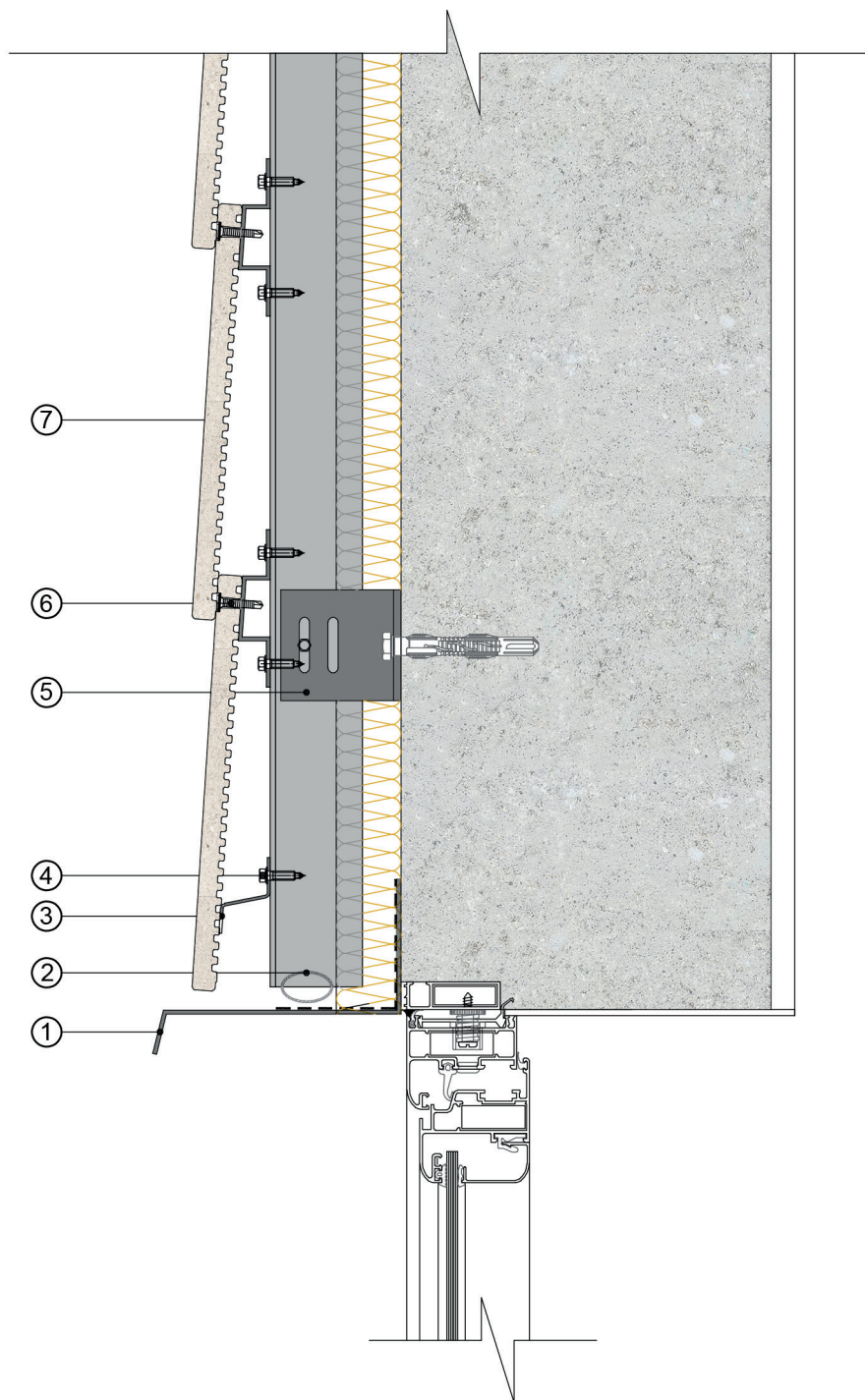
8. RK tile 225x400mm
Pieza de RK 225x400mm

9. Insulation
Aislamiento

RK SYSTEM

Section detail
Detalle de sección

tempio®

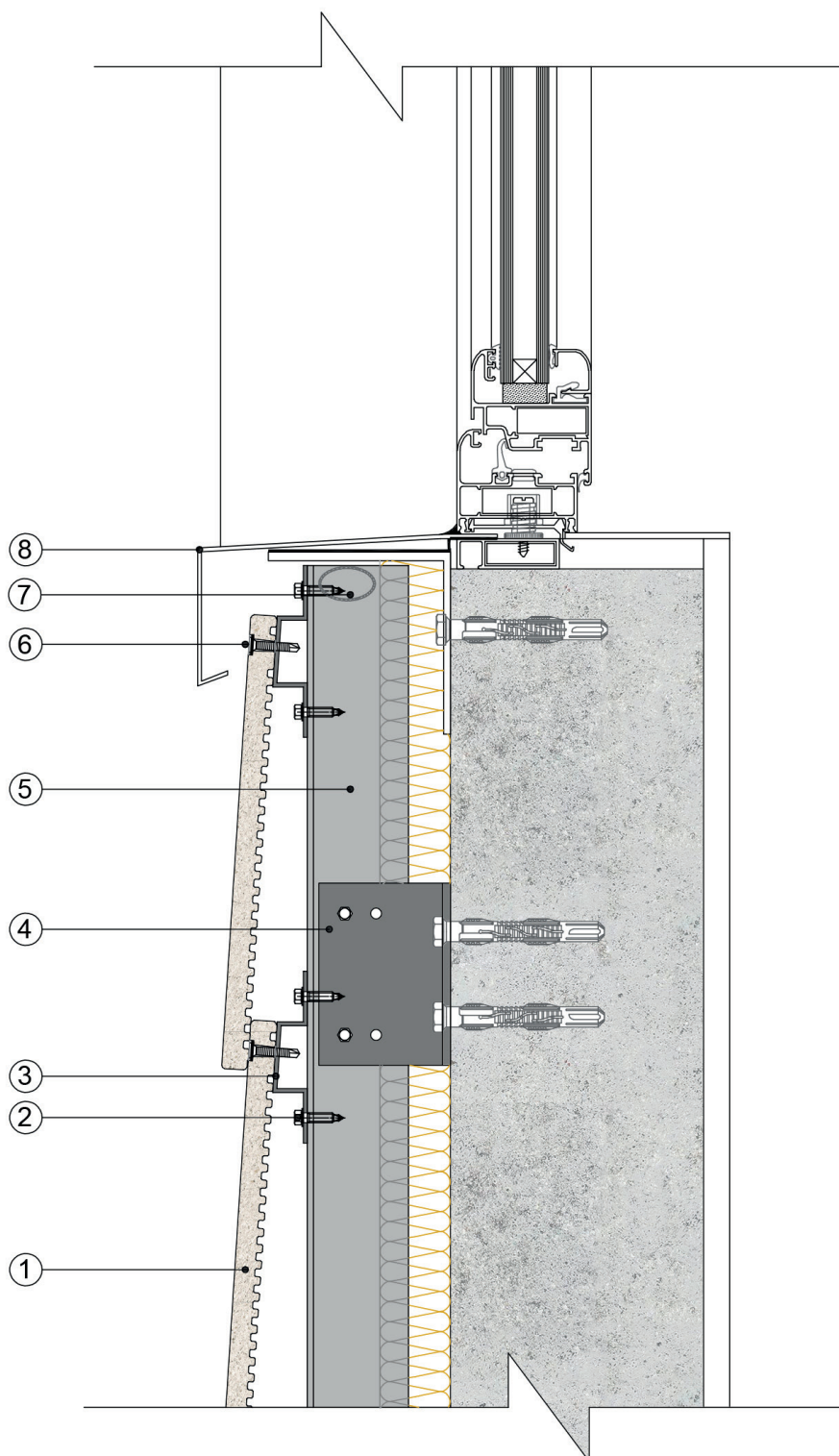


1. Aluminium frame
Marco de aluminio
2. Protection mesh
Malla de protección
3. Horizontal starter profile 30,5x40x1,5mm
Perfil horizontal de arranque 30,5x40x1,5mm
4. Stainless steel self drilling screw 5,5x25 (not coated)
Tornillos autotaladrantes de acero inoxidable 5,5x25 (sin recubrimiento)
5. Retaining bracket
Escuadra retención
6. Countersunk stainless steel self drilling 4,2x25 (with different colours)
Tornillos autotaladrantes avellanados de acero inoxidable 4,2x25 (con diferentes colores)
7. RK tile 225x400mm
Pieza de RK 225x400mm
8. Vertical T profile 40x50x3mm
Perfil vertical T 40x50x3mm
9. Aislamiento
Insulation

RK SYSTEM

Over window detail
Detalle superior ventana

tempio®



1. RK tile 225x400mm

Pieza de RK 225x400mm

2. Stainless steel self drilling screw 5,5x25 (not coated)

Tornillos autotaladrantes de acero inoxidable 5,5x25 (sin recubrimiento)

3. Horizontal omega profile 17x85x2mm

Perfil omega horizontal 17x85x2mm

4. Sustaining bracket

Escuadra sustentación

5. Vertical T profile 40x50x3mm

Perfil vertical T 40x50x3mm

6. Countersunk stainless steel self drilling 4,2x25 (with different colours)

Tornillos autotaladrantes avellanados de acero inoxidable 4,2x25 (con diferentes colores)

7. Protection mesh

Malla de protección

8. Metallic sill

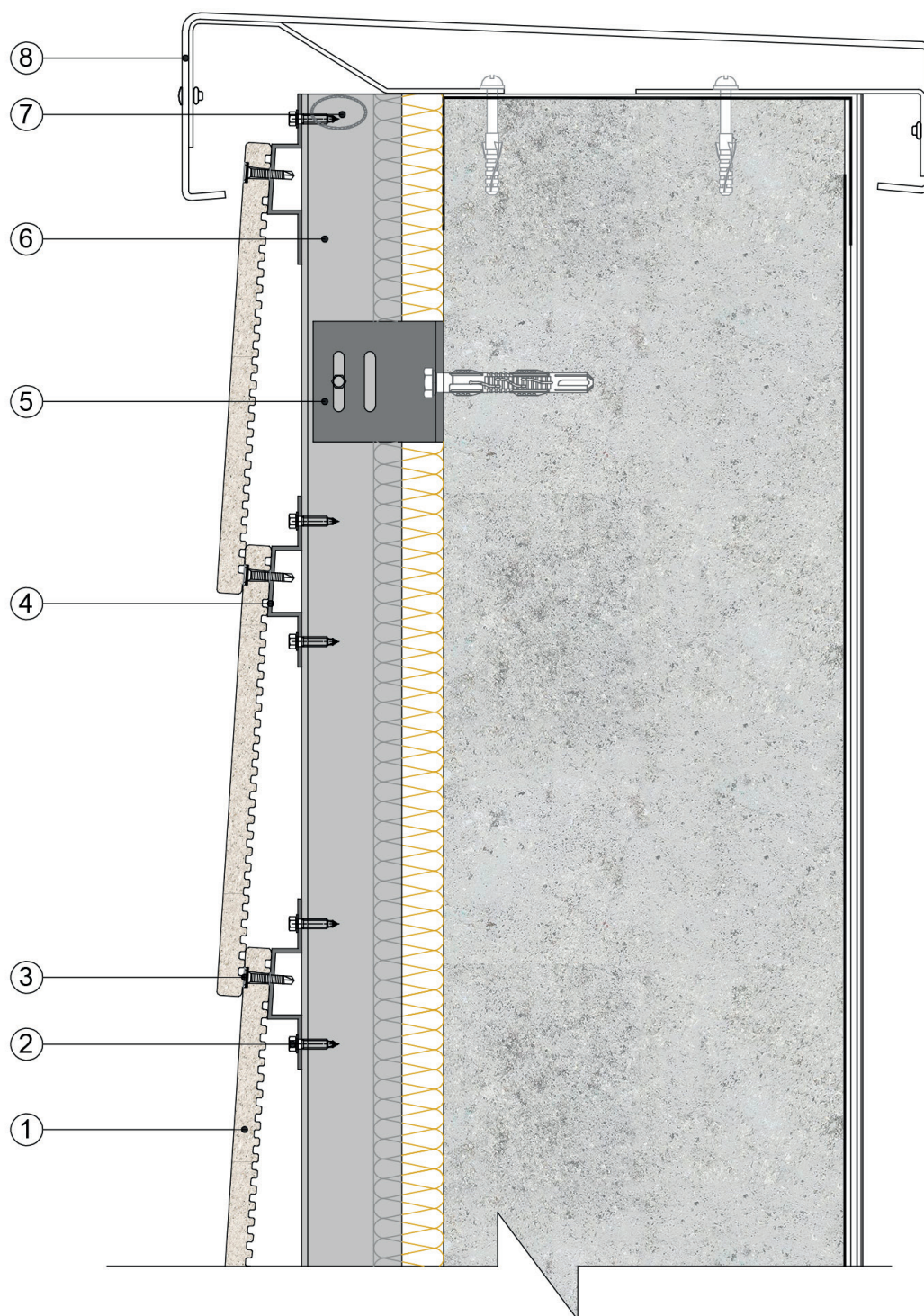
Vierteaguas metálico

RK SYSTEM

Metallic sill detail

Detalle vierteaguas metálico

tempio®



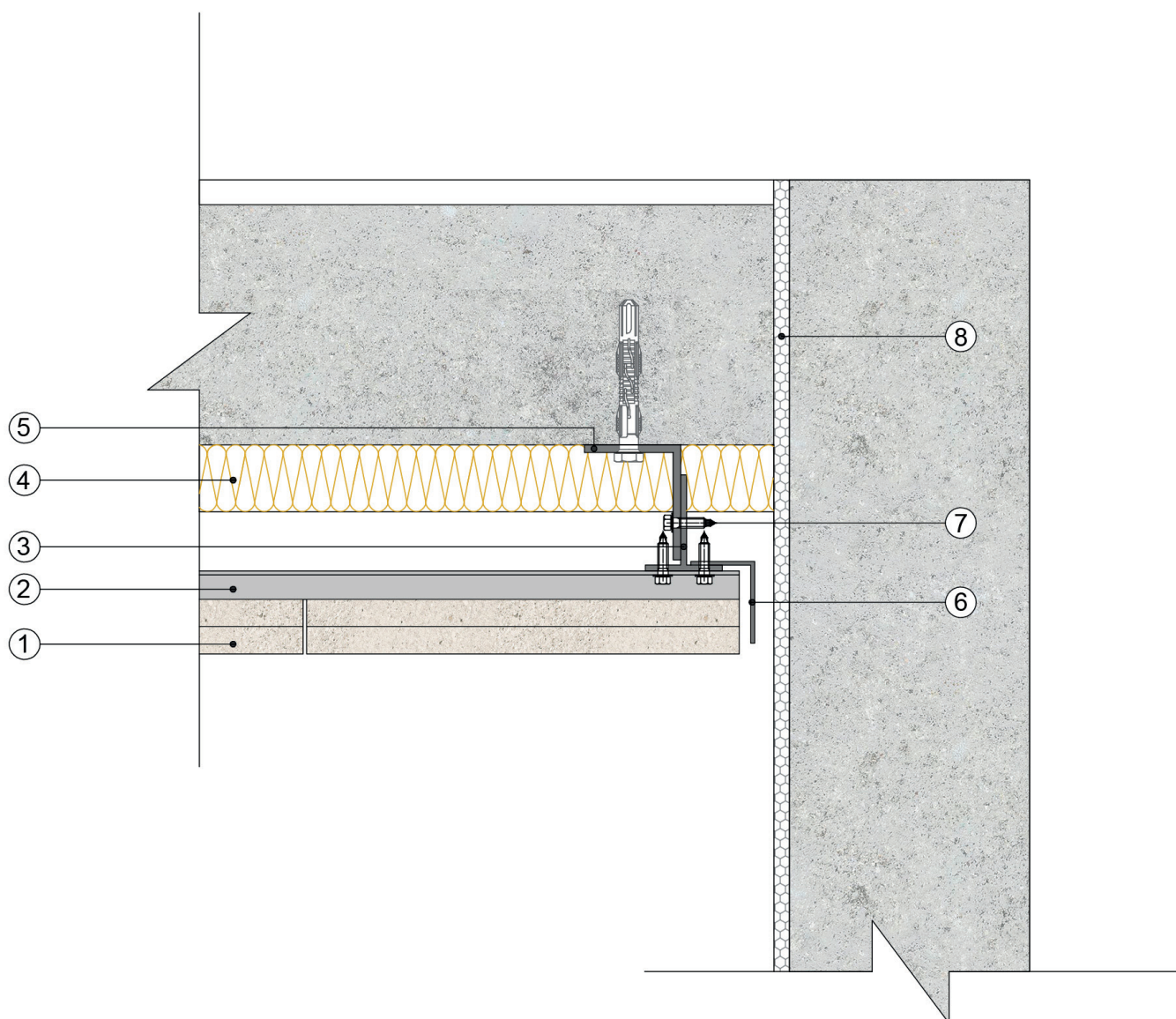
1. RK tile 225x400mm
Pieza de RK 225x400mm
2. Stainless steel self drilling screw 5,5x25 (not coated)
Tornillos autotaladrantes de acero inoxidable 5,5x25 (sin recubrimiento)
3. Countersunk stainless steel self drilling 4,2x25 (with different colours)
Tornillos autotaladrantes avellanados de acero inoxidable 4,2x25 (con diferentes colores)
4. Horizontal omega profile 17x85x2mm
Perfil omega horizontal 17x85x2mm
5. Retaining bracket
Escuadra retención
6. Vertical T profile 40x50x3mm
Perfil vertical T 40x50x3mm
7. Protection mesh
Malla de protección
8. Metallic coping
Coronación metálica

RK SYSTEM

Metallic coping detail

Detalle coronación metálico

tempio®



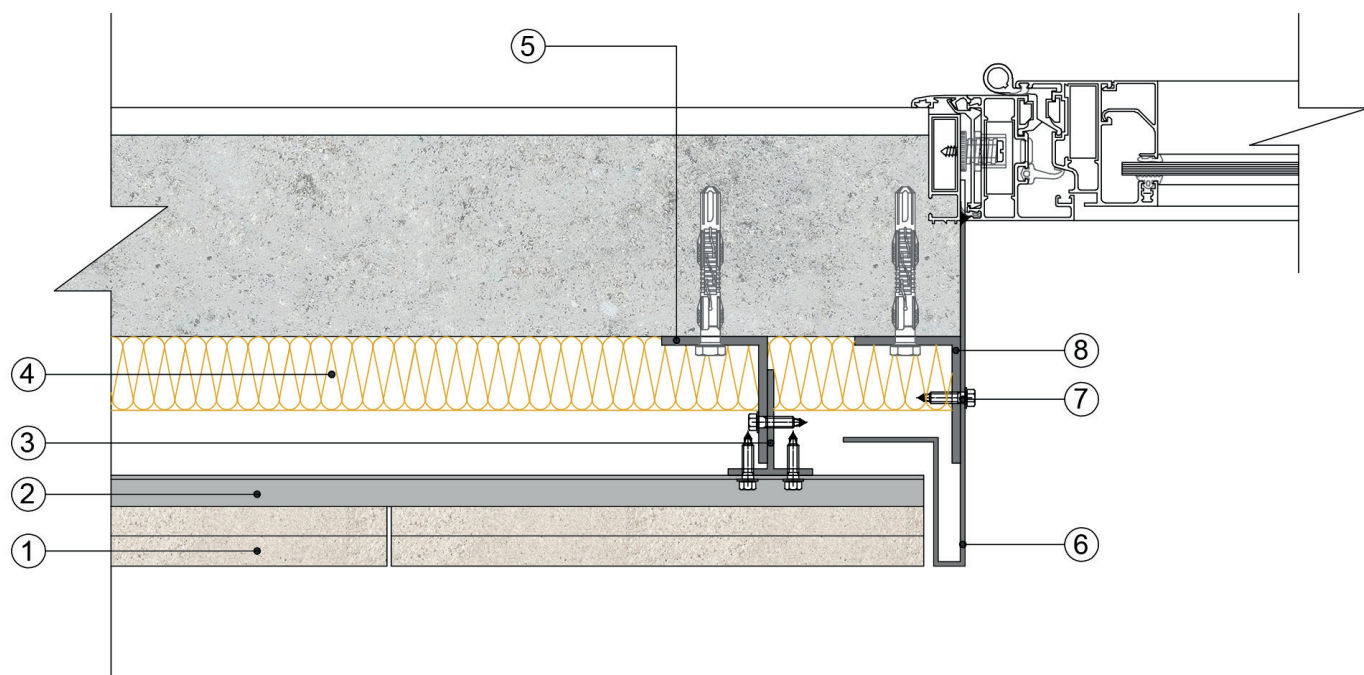
1. RK tile 225x400mm
Pieza de RK 225x400mm
2. Horizontal omega profile 17x85x2mm
Perfil omega horizontal 17x85x2mm
3. Vertical T profile 40x50x3mm
Perfil vertical T 40x50x3mm
4. Insulation
Aislamiento
5. Sustaining or retaining bracket
Escuadra de sustentación o retención

6. Termination angle
Ángulo de terminación
7. Stainless steel self drilling screw
5,5x25 (not coated)
Tornillos autotaladrantes de acero
inoxidable 5,5x25 (sin recubrimiento)
8. Elastic joint
Junta elástica

RK SYSTEM

Side termination detail
Detalle terminación lateral

tempio®



1. RK tile 225x400mm
Pieza de RK 225x400mm

2. Horizontal omega profile 17x85x2mm
Perfil omega horizontal 17x85x2mm

3. Vertical T profile 40x50x3mm
Perfil vertical T 40x50x3mm

4. Insulation
Aislamiento

5. Sustaining or retaining bracket
Escuadra de sustentación o retención

6. Metallic jamb
Jamba metálica

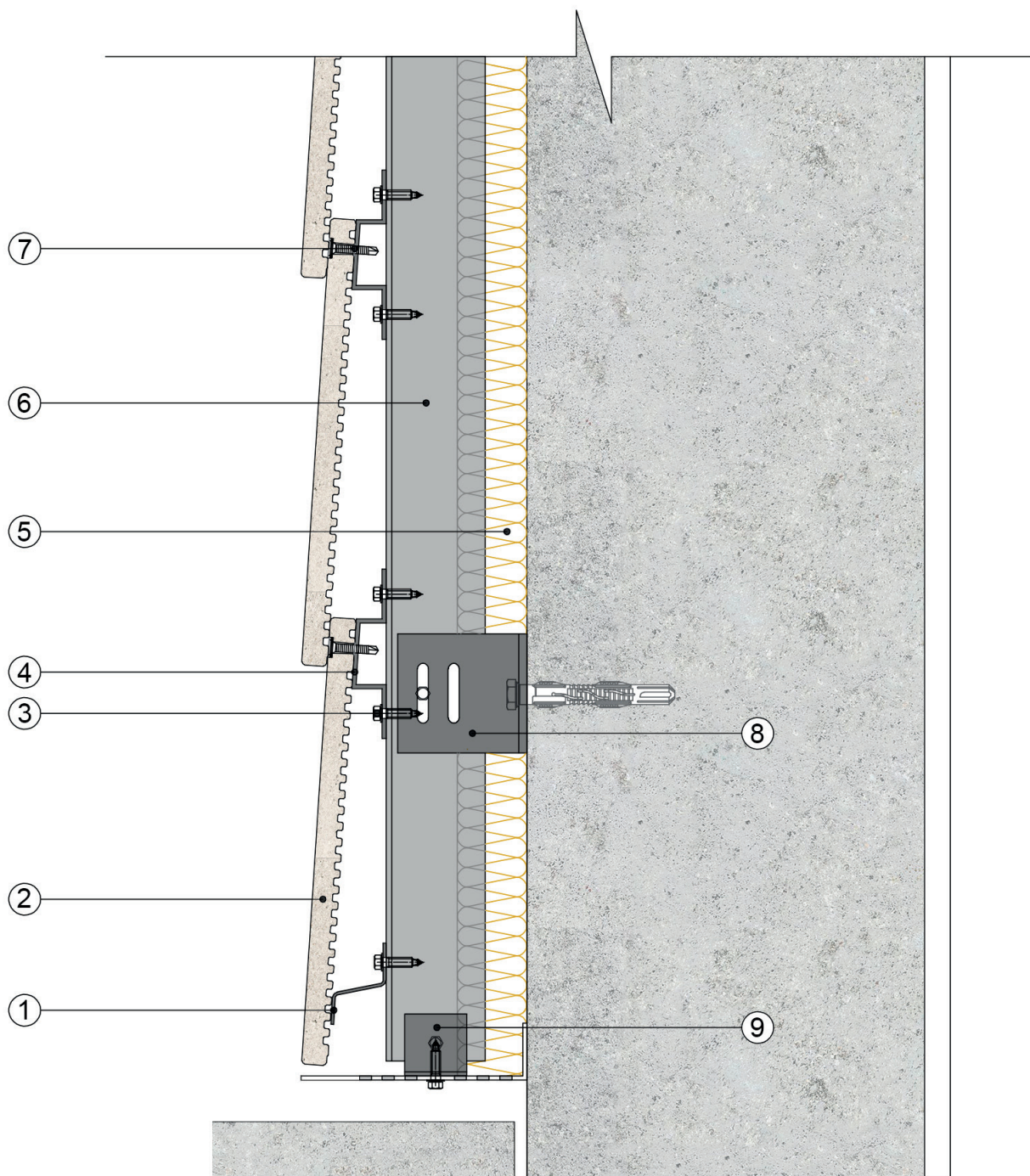
7. Stainless steel self drilling screw 5,5x25 (not coated)
Tornillos autotaladrantes de acero inoxidable 5,5x25 (sin recubrimiento)

8. Bracket
Escuadra

RK SYSTEM

Metallic jamb detail
Detalle jamba metálica

tempio®



1. Horizontal starter profile 30,5x40x1,5mm
Perfil horizontal de arranque 30,5x40x1,5mm

2. RK Tile 225x400mm
Pieza de RK 225x400

3. Stainless steel self drilling screw 5,5x25 (not coated)
Tornillos autotaladrantes de acero inoxidable 5,5x25 (sin recubrimiento)

4. Horizontal omega profile 17x85x2mm
Perfil omega horizontal 17x85x2mm

5. Insulation
Aislamiento

6. Vertical T profile 40x50x3mm
Perfil vertical T 40x50x3mm

7. Countersunk stainless steel self drilling 4,2x25 (with different colours)
Tornillos autotaladrantes avellanados de acero inoxidable 4,2x25 (con diferentes colores)

8. Retaining bracket
Escuadra de retención

9. Special bracket
Escuadra especial

RK SYSTEM

Termination detail
Detalle terminación

tempio®



TECHNICAL DATA SHEET

RUSTIKOTTA RK130600 225X400 (For use in coating vertical façades)



EK1021 TEJA · EK1022 ANTIQUE BROWN

EK1024 ANTIQUE MOSS · EK1027 BLACK OXID

EK1014 WHITE SPLATTER · EK1005 RED FLAMED

EK1023 ANTIQUE GREY · EK1004 ANTHRACITE

EK1009 LIGHT GREY FLAMED

| | | |
|---|-----------------|---|
| Water absorption | EN ISO 10545-3 | <5.0 % |
| Modulus of rupture | EN ISO 10545-4 | > 17 N/mm ² |
| Frost resistance | EN ISO 10545-12 | Fulfilled |
| Resistance to thermal shock | EN ISO 10545-9 | Fulfilled |
| Impact resistance (by measurement of coefficient of restitution) | EN ISO 10545-5 | 0.7-0.9 |
| Fire resistance | | Clase A1fl |
| Stain resistance | EN ISO 10545-14 | Group 5 (glazed) |
| Chemical resistance | EN ISO 10545-13 | Group GA (glazed) |
| Linear termal expansion | EN ISO 10545-8 | $5.75 \cdot 10^{-6} \text{ K}^{-1} (\pm 1)$ |

| Tolerances and dimensions | | |
|--|---------------------------------|---------------------------|
| Weight | | 2.5 kg/piece ± 0.5 kg |
| Width | In extruding direction | ± 4.0 mm |
| Height | Opposite to extruding direction | ± 2.0 mm |
| Thickness | EN ISO 10545-2 | 13.0 mm ± 1.0 mm |
| Straightness (in extruding direction) | EN ISO 10545-2 | ± 1.5 mm |
| Ortogonalidad | EN ISO 10545-2 | ± 2.0 mm |
| Flatness | | ± 2.0 mm |

USEFUL INFORMATION

Información de utilidad

To install 1sqm you will need 12,5 pieces of Rustikotta 225x400mm
Para instalar 1m² se necesitarán 12,5 piezas de Rustikotta 225x400mm

1 box contains 6 pieces (0,48sqm)

1 caja contiene 6 piezas (0,48m²)

RK SYSTEM

Technical data sheet

Ficha técnica

tempio®